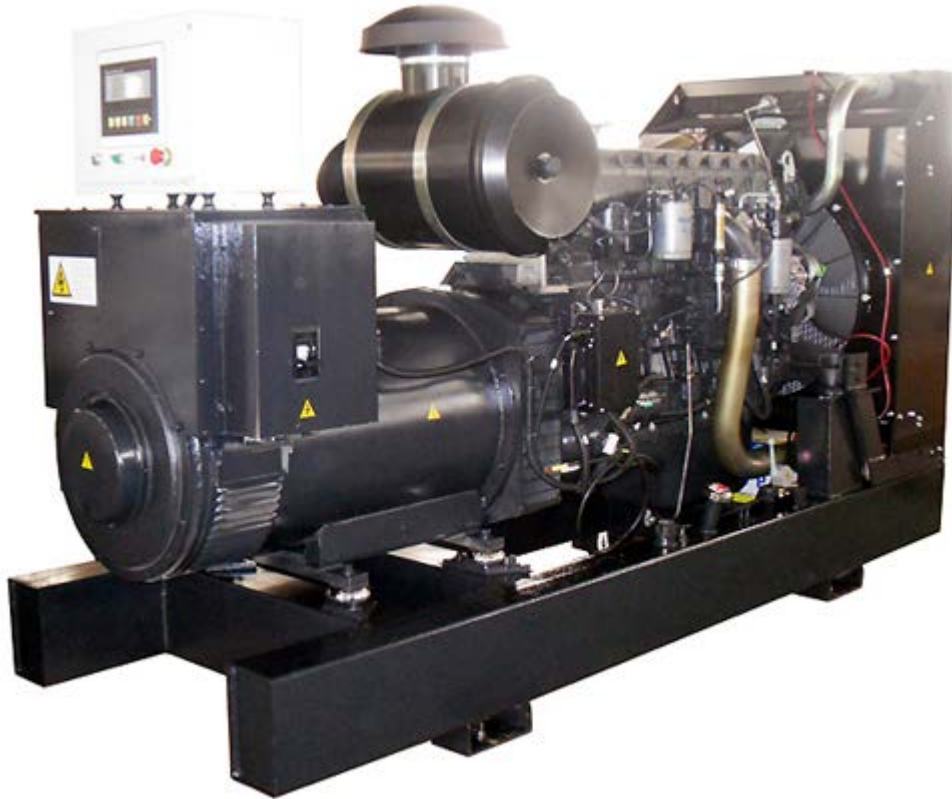


ژنراتور : *Meccalte*

موتور دیزل : *IVECO*

Standby		Prime		دیزل ژنراتور
KW	KVA	KW	KVA	
138	110	125	100	



موتور دیزل

Manufacturer	IVECO	تولید کننده
Type	NEF67SM1A	تیپ
Number of cylinders	6	تعداد سیلندر ها
Cylinder arrangement	inline	آرایش سیلندر ها
Displacement , Liters	6.7	جا به جایی
Bore × Stroke , mm	104X132	قطر سیلندر × کورس پیستون

ژنراتور

Manufacturer	Mecc Alte	تولید کننده
Type	ECP34-1L	تیپ
Frequency, Hz	50	فرکانس
Speed, Rpm	1500	سرعت
Voltage, V	380	ولتاژ
Excitation	Brushless	سیستم تمریک
Stator windings	12	سیم پیچ استاتور
Rotor	with damping cage	روتور
Over speed, Rpm	2250	مداکثر سرعت مجاز
Short circuit current	0,41	جریان اتصال کوتاه
Insulation class	H	کلاس عایق
Protection class	IP 21	کلاس حفاظتی
Cooling air volume,m ³ / sec	19,3	دبی هوای فنک کننده

N67 SM1 FOR POWER GENERATION APPLICATIONS

Specifications

Thermodynamic cycle		Diesel 4 stroke, D.I.	
Air intake		TC	
Arrangement		6, in line	
Bore x stroke	mm	104x132	
Total displacement	l	6.7	
Valves per cylinder		2	
Injection system		mechanical	
Speed governor		mechanical	
Cooling system		liquid (water + 50% Parafllu1)	
Flywheel housing/flywheel	type	SAE3 / 11" 1/2	
Flywheel rotation		CCW	
Lube oil specifications		ACEA E3-E5	
Lube oil consumption		<0.1% of fuel consumption	
Fuel specifications		EN 590	
Oil and filters intervals for replacement	hours	600	
Fuel consumption at:	rpm	1500	1800
	100% load l/h (g/kWh)	28.8 (212.5)	33.9 (216.3)
	80% load l/h (g/kWh)	23.2 (214.0)	27.5 (219.4)
	50% load l/h (g/kWh)	14.6 (216.3)	18.3 (233.2)
Coolant capacity: engine only	l	~10.5	
	engine+radiator	l	~40.5
ATB (without canopy)	°C	51	
No remote cooling radiator allowed			
Lube oil total system capacity including pipes, filters etc.	l	~17.2	
Electrical system		12Vcc	
Starting batteries: recommended capacity	Ah	1x100	
Discharge current (EN 50342)	A	800	
Cold starting:	without air preheating	°C	
	with air preheating	°C	
		-15	
		-25	

Performance

Ratings ¹		1500 rpm		1800 rpm	
		PRIME	STAND-BY	PRIME	STAND-BY
Rated Output ²	kWm	110	121	126	138

1) Ratings in accordance with ISO 8528. For duty at temperature over 40°C and/or altitude over 1000 meters must be considered a power derating factor. Contact the FPT sales organization

2) Net power at flywheel available after 50 hours running with a ±3% tolerance

PRIME POWER: The prime power is the maximum power available with varying loads for an unlimited number of hours. The average power output during a 24h period of operation must not exceed 80% of the declared prime power between the prescribed maintenance intervals and at standard environmental conditions. A 10% overload is permissible for 1 hour every 12 hours of operation.

STAND-BY POWER: The stand-by power is the maximum power available for a period of 500 hours/year with a mean load factor of 90% of the declared stand-by power. No kind of overloads is permissible for this use.

CONTINUOUS POWER: Contact the FPT sales organization.

N67 SM1 FOR POWER GENERATION APPLICATIONS

Standard Configuration:

FPT engine N67 SM1 equipped with:

- Mounted radiator
- Mounted belt driven pusher fan
- Fan guard
- Mounted air filter with replaceable cartridges
- Fuel filter
- Primary fuel filter/water separator
- Replaceable oil filter
- Front engine mounting brackets
- Flywheel housing SAE3 and flywheel 11" 1/2
- Re-directable exhaust gas elbow
- Recircled oil breather system
- Oil dipstick
- HWT and LOP sensors
- 12Vdc electrical system
- User's handbook

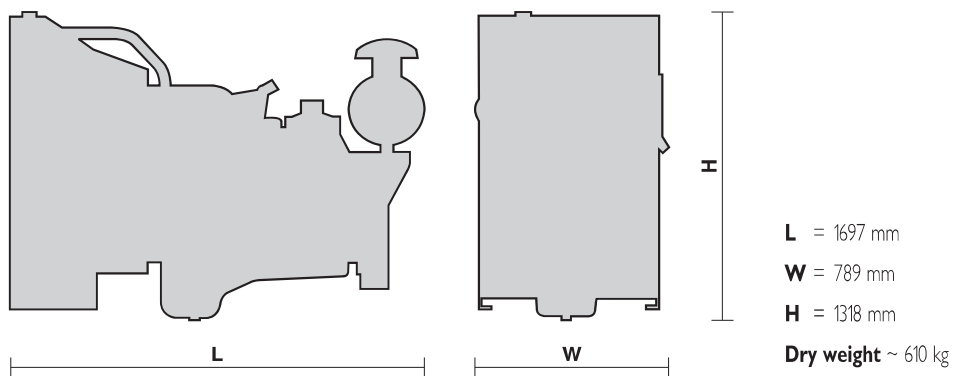
THE ENGINE IS SUPPLIED WITHOUT LIQUIDS

Optional equipment:

On request the engine can be supplied with:

- Oil drain pump
- Oil drain valve
- 120/230 Volt water jacket heater
- WT and OP sensors for gauges
- Low water level sensor
- Turbo and exhaust gas guards
- Exhaust gas flexible joint
- 24Vdc electrical system
- Front radiator guard
- Electronic speed governor

Overall dimensions

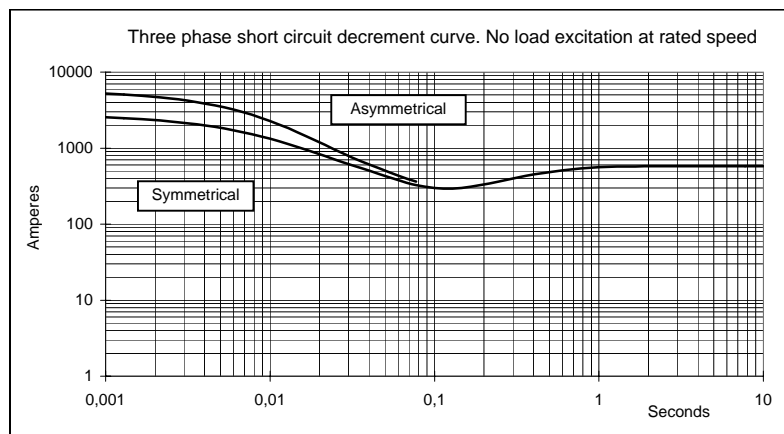
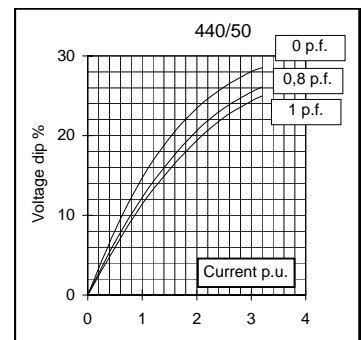
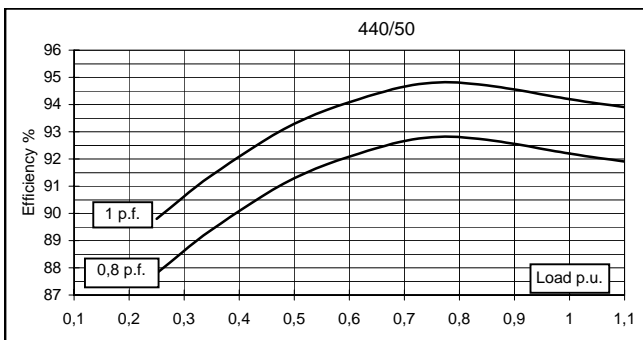
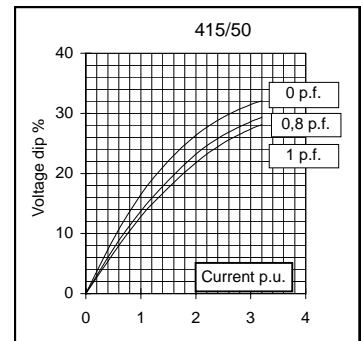
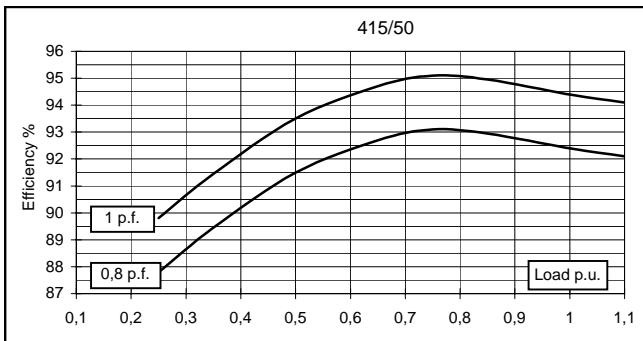
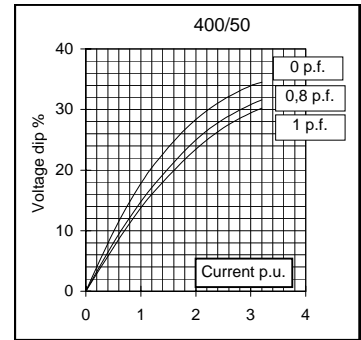
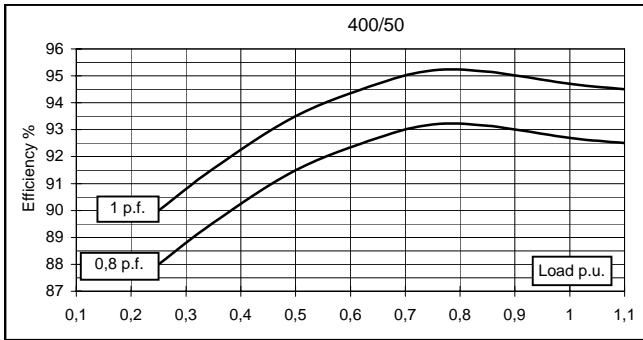
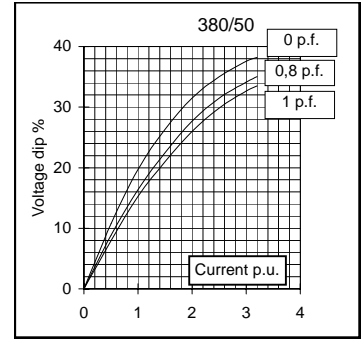
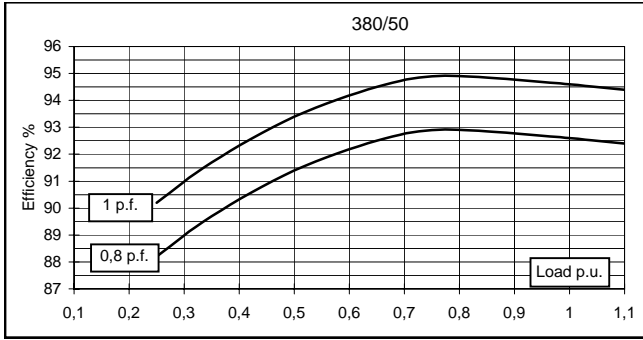


Electrical Characteristics										
Frequency	Hz	50				60				
Voltage (series star)	V	380	400	415	440	415	440	460	480	
Rated power class H	kVA	130	130	130	110	135	145	156	156	
	kW	104	104	104	88	108	116	125	125	
Rated power class F	kVA	118	118	118	99	120	130	141	141	
	kW	94	94	94	79	96	104	113	113	
Regulation with	SR7/2	±1,5% with any power factor and speed variations between -5% +30%								
Insulation class		H								
Execution		Brushless								
Stator winding		12 ends								
Rotor		with damping cage								
Efficiencies class H	4/4	%	92,6	92,7	92,4	92,2	93,7	94,2	94,3	94,4
(see graph. for details)	3/4	%	92,9	93,2	93,1	92,8	94,4	94,6	94,7	94,9
	2/4	%	91,4	91,5	91,5	91,3	93	93,1	93,2	93,3
	1/4	%	88,2	88	87,8	87,8	89,2	89,2	89,2	89
Reactances (f. l.cl. F)	Xd	%	237,1	214	198,8	149,7	247,7	236,7	233,0	214
	Xd'	%	19,1	17,2	16,0	12,0	19,9	19,0	18,7	17,2
	Xd''	%	7,5	6,8	6,3	4,8	7,9	7,5	7,4	6,8
	Xq	%	163,5	147,6	137,1	103,2	170,9	163,3	160,7	147,6
	Xq'	%	163,5	147,6	137,1	103,2	170,9	163,3	160,7	147,6
	Xq''	%	33,1	29,9	27,8	20,9	34,6	33,1	32,6	29,9
	X ₂	%	20,5	18,5	17,2	12,9	21,4	20,5	20,1	18,5
	X ₀	%	3,2	2,9	2,7	2,0	3,4	3,2	3,2	2,9
Short Circuit Ratio	Kcc		0,41	0,49	0,63	0,98	0,32	0,37	0,41	0,49
Time Constants	Td'	sec.	0,0372							
	Td''	sec.	0,0076							
	Tdo'	sec.	1,80							
	Tα	sec.	0,0163							
Short Circuit Current Capacity		%	>300				>350			
Excitation at no load	Amp.		0,5	0,55	0,6	0,8	0,2	0,3	0,4	0,5
Excitation at full load	Amp.		2,2	2,3	2,4	2,6	2	2,2	2,3	2,4
Overload (long-term)		%	1 hour in a 6 hours period 110% rated load							
Overload per 20 sec.		%	300							
Stator Winding Resistance (20°C)	Ω		0,018							
Rotor Winding Resistance (20°C)	Ω		3,165							
Exciter Resistance (20 °C)	Ω		Rotor : 0,410				Stator : 15,28			
Heat dissipation at f.l.cl.H	W		8311	8190	8554	7445	7261	7142	7544	7403
Telephone Interference			THF < 2%				TIF < 40			
Radio interference			EN50081-1; EN50082-1; VDE0875K. For others standards apply to factory							
Waveform Distors.(THD) at f. load	LL/LN %		1,8 / 1,9							
Waveform Distors.(THD) at no load	LL/LN %		2,4 / 2,5							
Mechanical characteristics										
Protection			IP 21 (other protection on request)							
DE bearing			6314.2RS							
NDE bearing			6311.2RS							
Weight of wound stator assembly	kg		142							
Weight of wound rotor assembly	kg		90							
Weight of complete generator	kg		445							
Maximun overspeed	rpm		2250							
Unbalanced magnetic pull at f.l.cl.F	kN/mm		5,4							
Cooling air requirement	m ³ /min		19,3				23			
Inertia Constant (H)	sec.		0,102				0,122			
Noise level at 1m/7m	dB(A)		79 / 65				83 / 69			

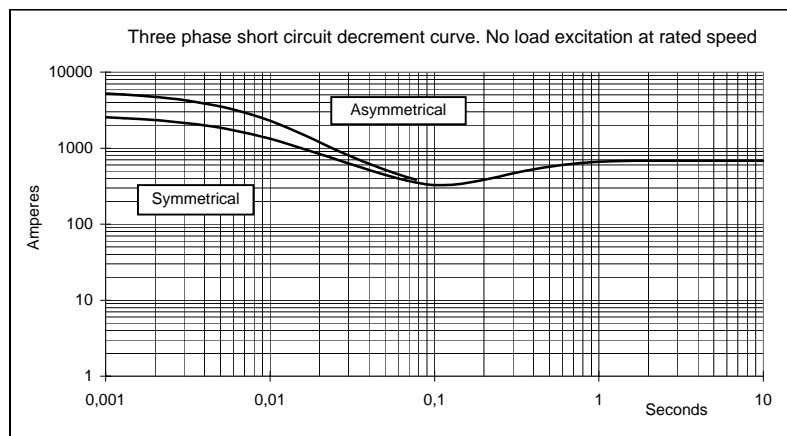
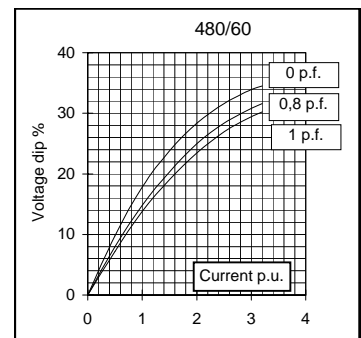
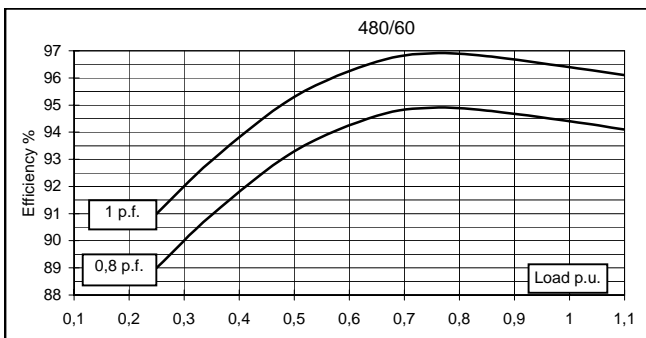
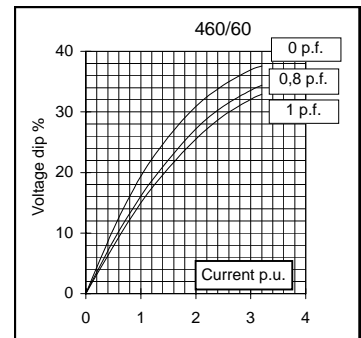
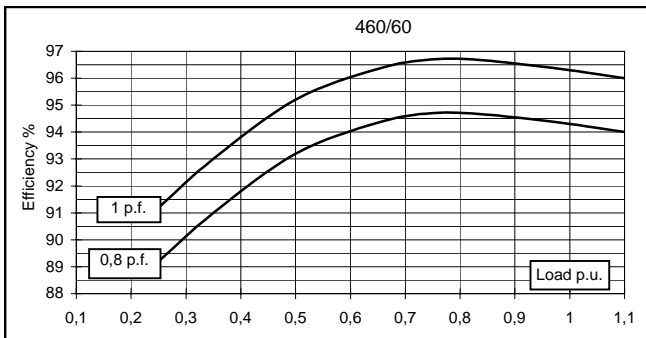
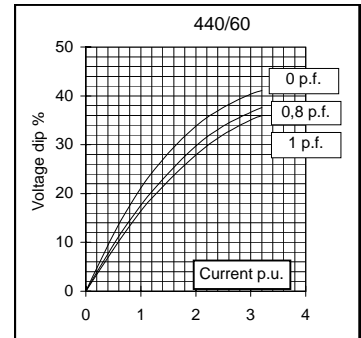
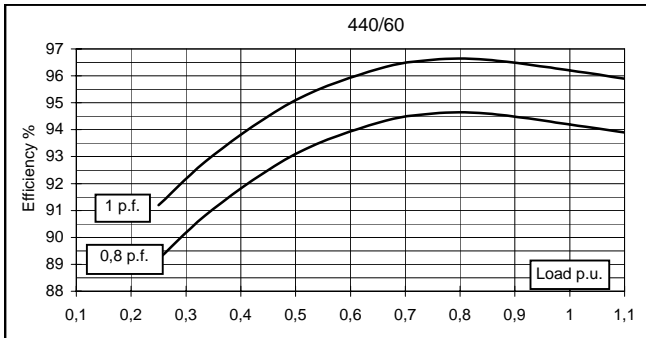
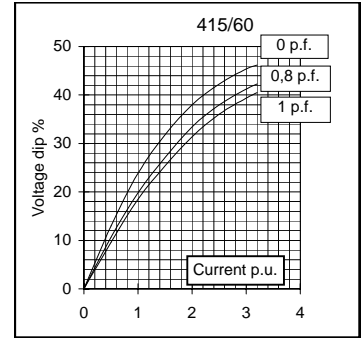
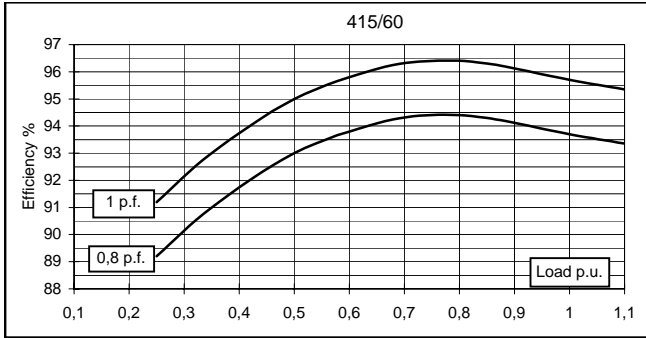
All technical data are to be considered as a reference and they can be modified without any notice.

This document is a propriety of Mecc Alte S.p.a..All rights reserved.

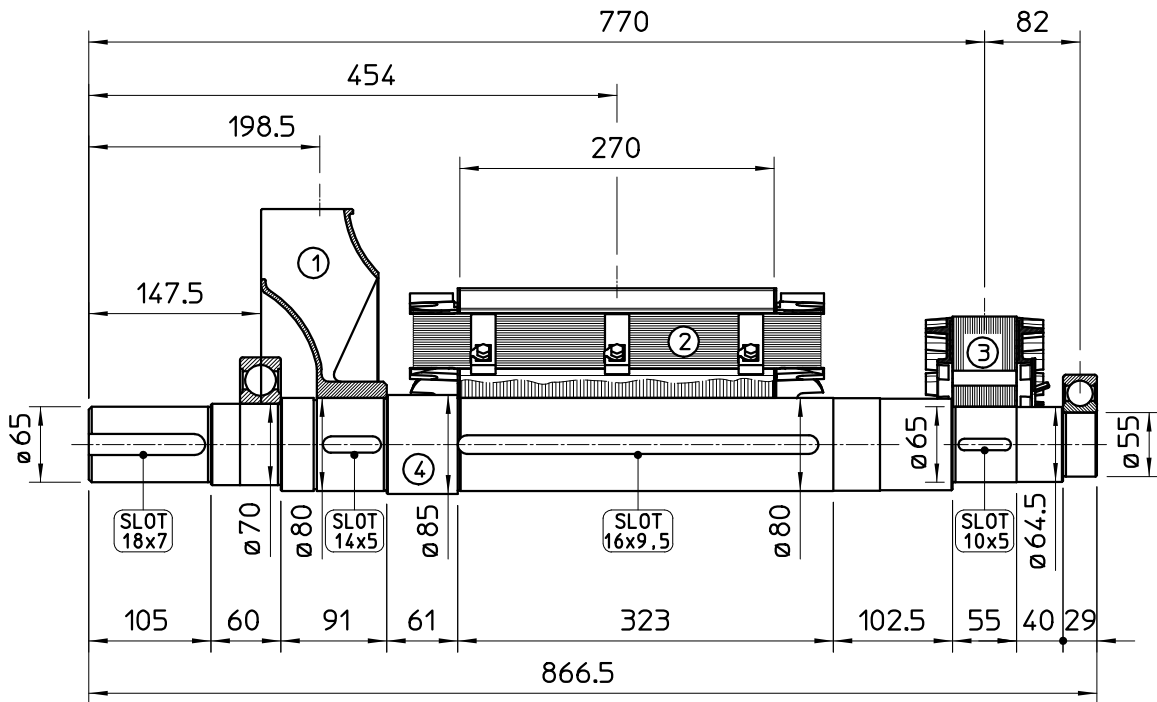
50 Hz



60 Hz

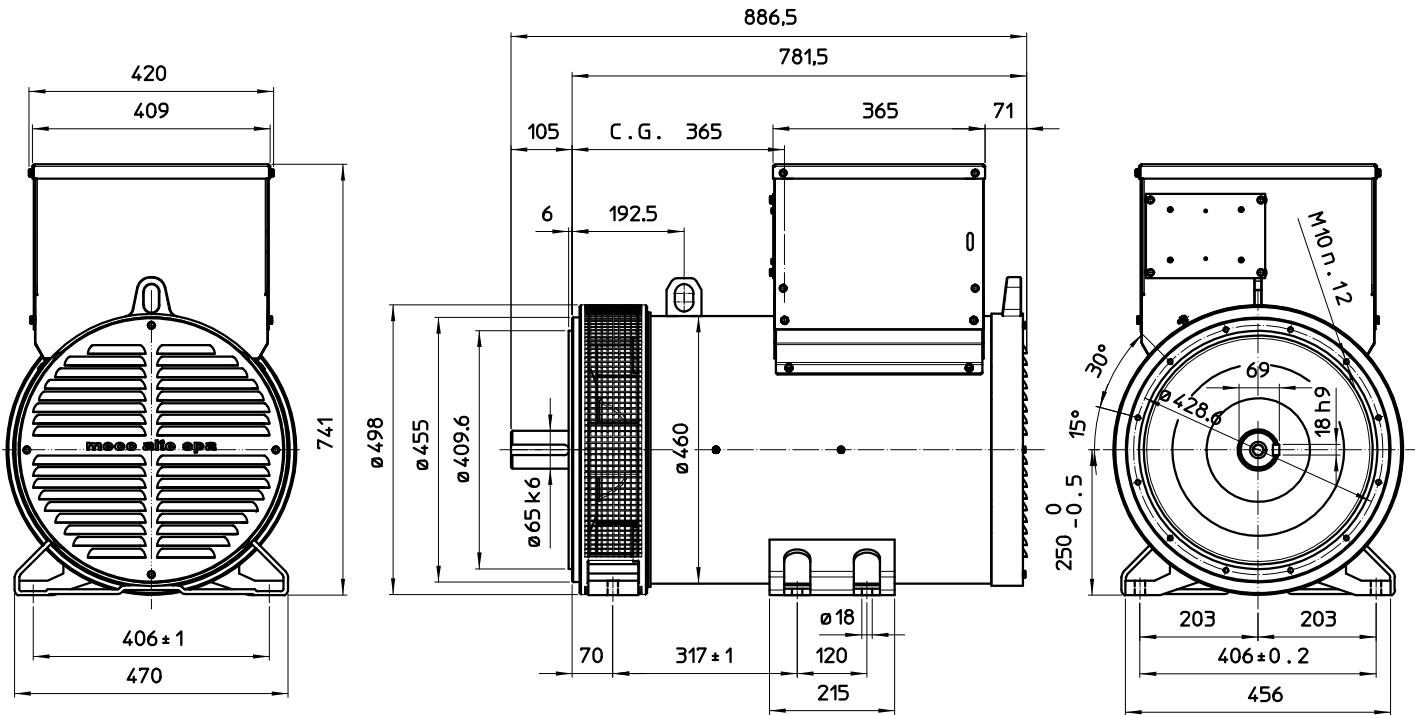


TWO BEARING MOMENTS OF INERTIA



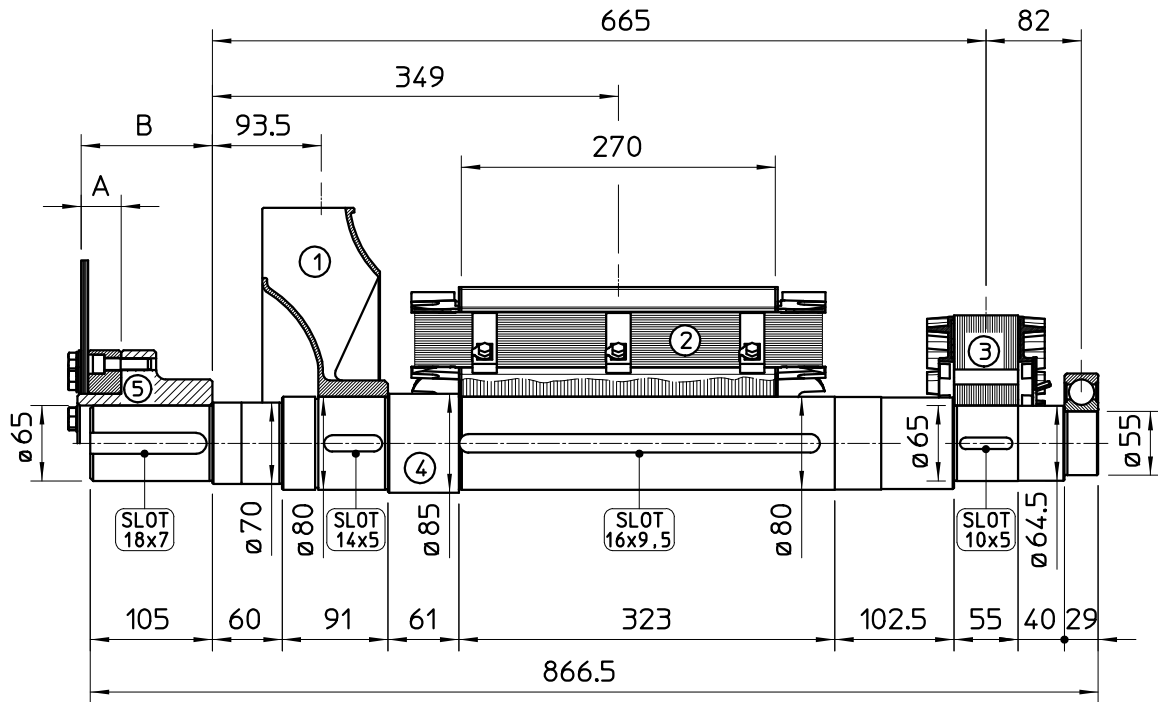
COMPONENT	WEIGHT kg	J kgm ²
1 FAN	3,3	0,0451
2 MAIN ROTOR	90	0,8770
3 EX. ROTOR	14,5	0,0874
4 SHAFT	29,6	0,0218
TOTAL	137,4	1,0313

TWO BEARING DIMENSIONS



C.G.= GRAVITY CENTER

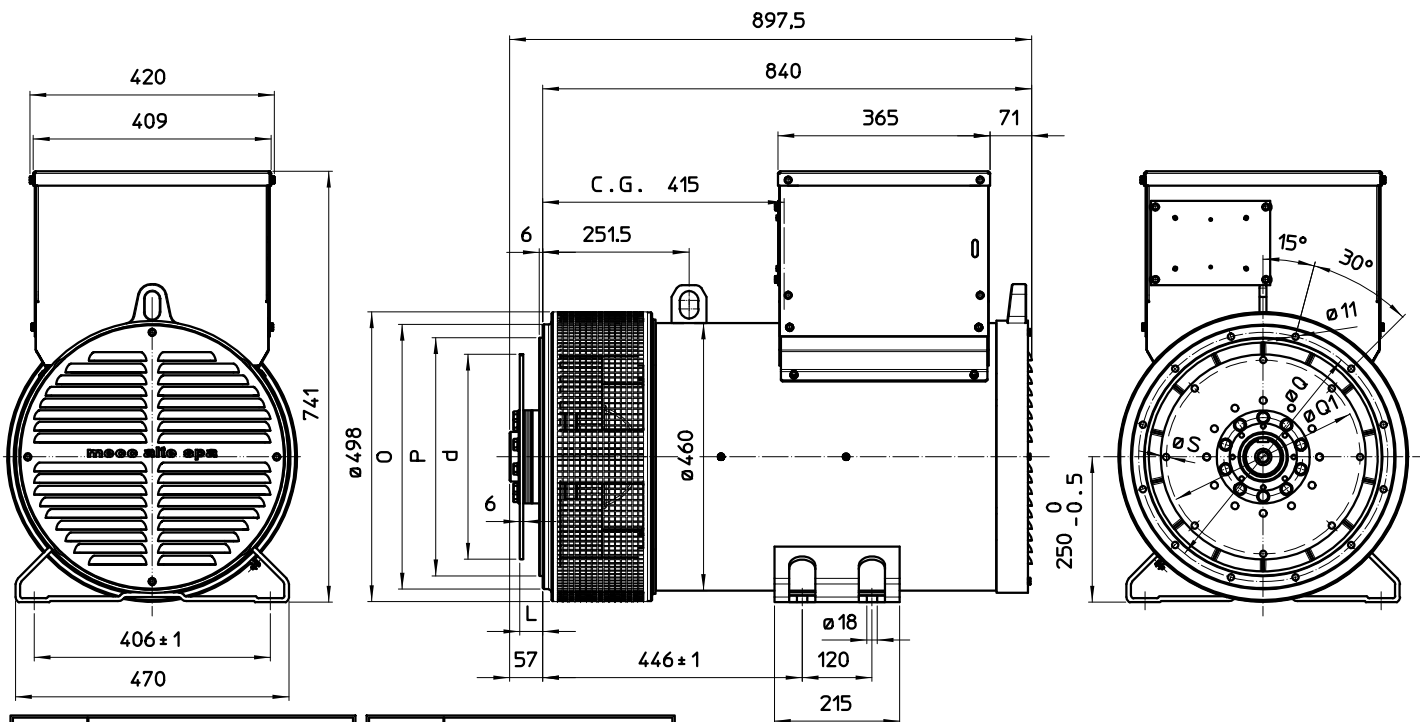
SINGLE BEARING MOMENTS OF INERTIA



COMPONENT	WEIGHT kg	J kgm ²
1 FAN	3,3	0,0451
2 MAIN ROTOR	90	0,8770
3 EX. ROTOR	14,5	0,0874
4 SHAFT	29,6	0,0218
TOTAL	137,4	1,0313

SAE N°	SHAFTS COUPLING FLEX PLATE			
	A	B	WEIGHT Kg	J kgm ²
10	34,4	112,8	13,5	0,0770
11,5	20	98,6	12,5	0,0956
14	6	84,4	14,8	0,2360

SINGLE BEARING DIMENSIONS



SAE N.	GIUNTI A DISCHI DISC COUPLING DISQUE DE MONOPALIER SCHEIBENKUPPLUNG				
	L	d	Q1	N. fori	S
10	53,8	314,32	295,27	8	11
11 1/2	39,6	352,42	333,37	8	11
14	25,4	466,72	438,15	8	14

SAE N.	FLANGIA/FLANGE BRIDE/FLANSCH			
	O	P	Q	N. fori
3	451	409,6	428,6	12
2	489	447,7	466,7	12
1	552	511,2	530,2	12

C.G.= GRAVITY CENTER